

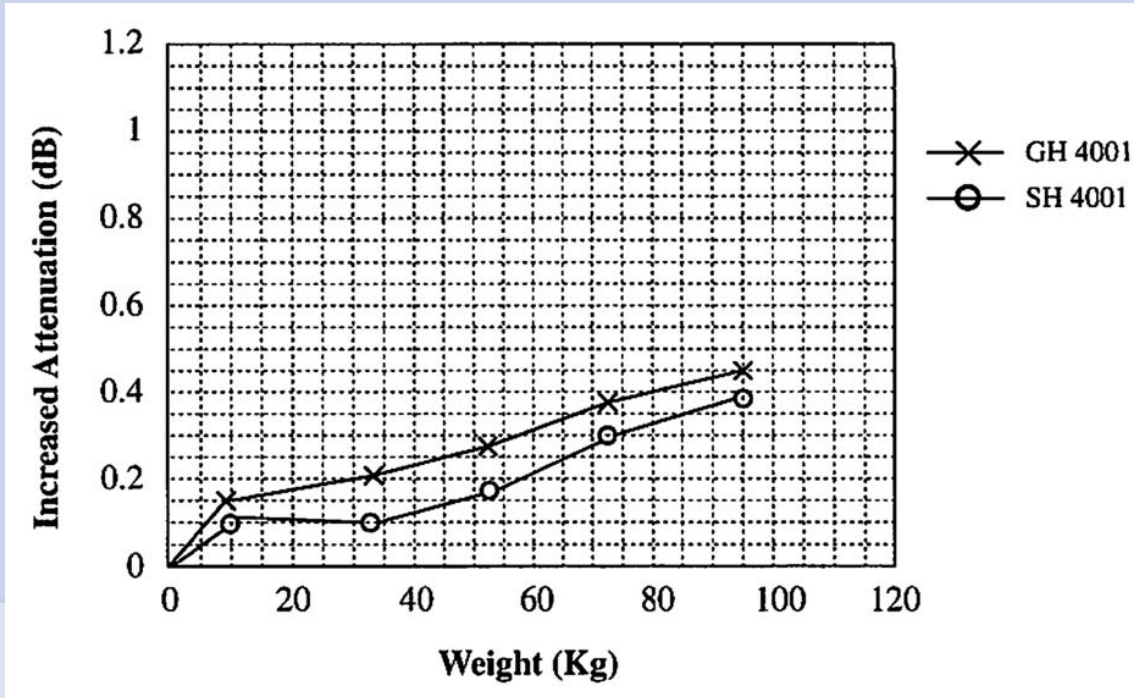
ESKA™ Plastic Fiber Optic & Cable

Manufactured by Mitsubishi Rayon Co., Ltd.

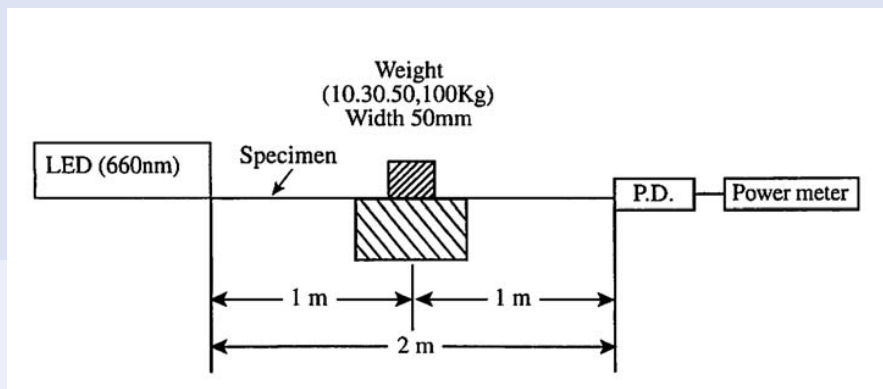
Marketed and sold by Mitsubishi International PolymerTrade Corporation

Other Mechanical Tests

Compressive Load Bearing Tests



Influence of Compressive Load on Attenuation



Schematic Diagram of Test Method

The information contained herein is presented as a guide to product selection. It is subject to change without notice, and should not be regarded as a representation, warranty or guarantee with regard to the quality, characteristics or use of this product.